

Application

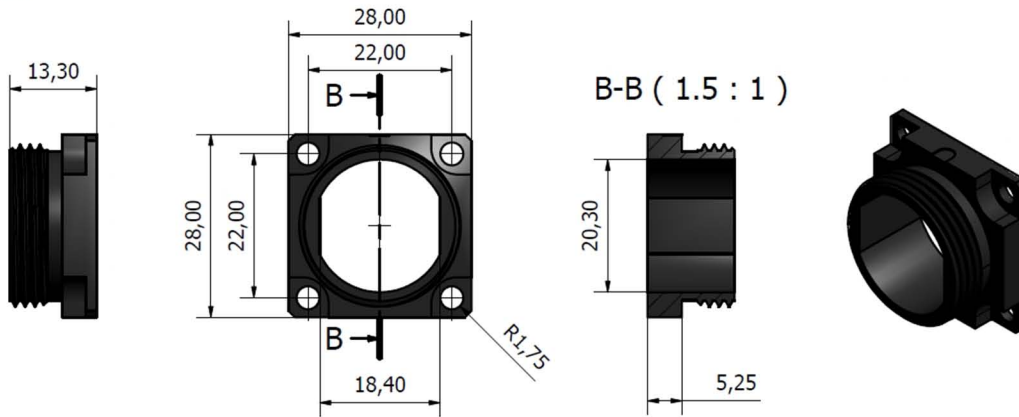
- FTTx in passive optical network
- Base station / FTTA
- Transportation and railway system
- Ethernet and Industrial networking system



Features

- IP-67 harsh environment connector is available in SFP
- Sealed to IP67 for utmost protection
- Push pull locking design makes ease of mating even in inconvenient locations
- Receptacle of different flange styles to fit for different installation needs
- Fiber optic connector compliant to Telcordia GR-326- CORE and TIA/EIA standard
- Comprehensive assemblies solutions reduce cost of site termination while enhanced performance
- 100% factory-tested for excellent reliability and optical performance

Panel Cut Out



Order Information

J WPC		A		B		C		D		E		E		F	
JT's Waterproof Connector		Fiber mode		Fiber Count		Cable Diameter		Type		Connector type		Connector type		Fiber length	
S	SM	01	1 Core	M48	4.8mm Jacket	SC	Screw	SU	SC/UPC	SU	SC/UPC	010	1.0M		
		02	2 Core	M63	6.3mm Jacket	PP	Push-pull	SA	SC/APC	SA	SC/APC	005	0.5M		
		04	4 Core					FU	FC/UPC	FU	FC/UPC	xxx	Customized		
		06	6 Core					FA	FC/APC	FA	FC/APC				
		08	8 Core					LU	LC/UPC	LU	LC/UPC				
		12	12 Core					LA	LC/APC	LA	LC/APC				
M	MM	12	12 Core					MF	MPO/FLAT	MF	MPO/FLAT				
		24	24 Core					MA	MPO/APC	MA	MPO/APC				
x	x														

Specification

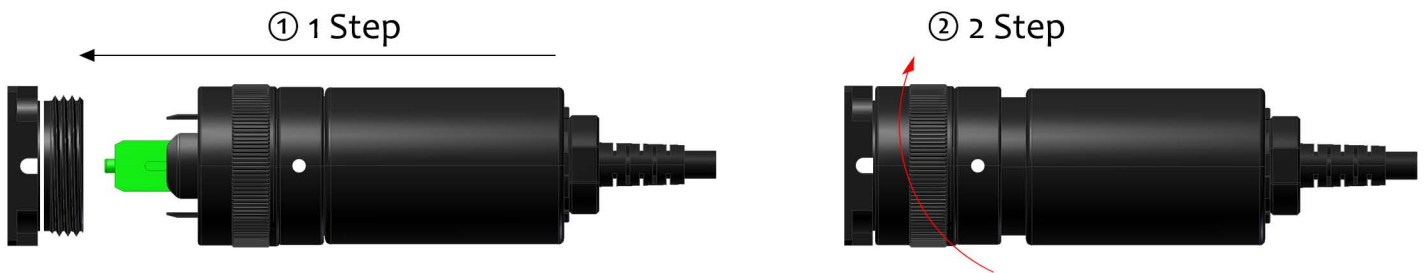
Mechanical Characteristics

Cable retention	200N
Mating endurance	100 mating cycles minimum

Environmental Characteristics

Ingress protection class	IP65 or IP67
Operating temperature	-40 °C ~ +85 °C
Storage temperature	-40 °C ~ +85 °C
Salt mist	IEC 61300-2-26 (PASSED)
Vibrations	IEC 61300-2-1 (PASSED)

Installation procedure



Separation procedure

